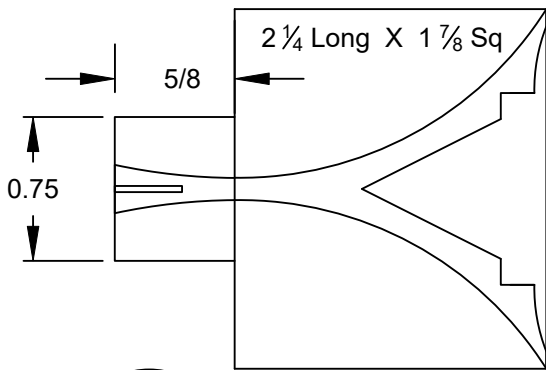
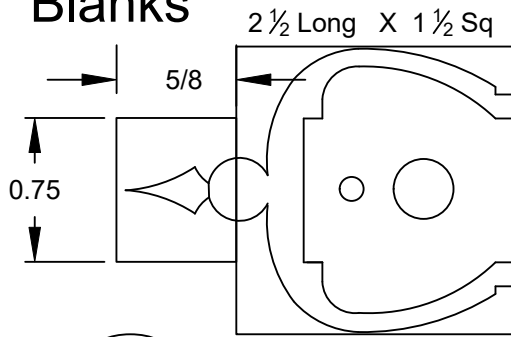


2 Blanks

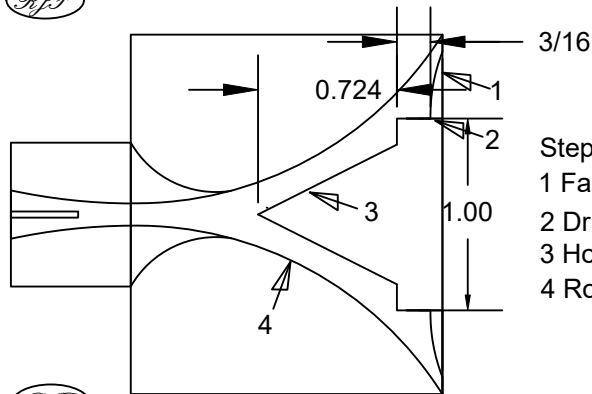


RJF



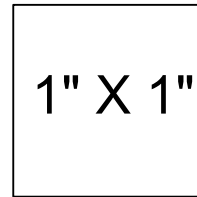
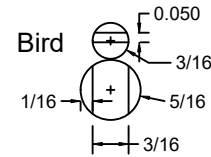
RJF

1

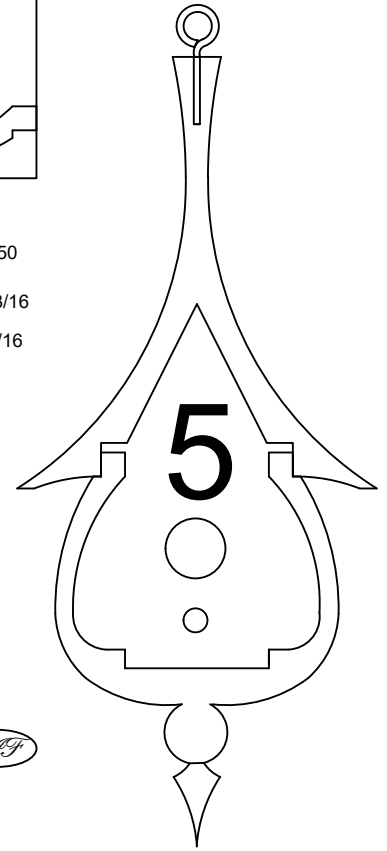


RJF

- Step 1**
- 1 Face end
 - 2 Drill 1" Dia X $\frac{3}{16}$ Deep
 - 3 Hollow under roof
 - 4 Rough Roof Top



RJF

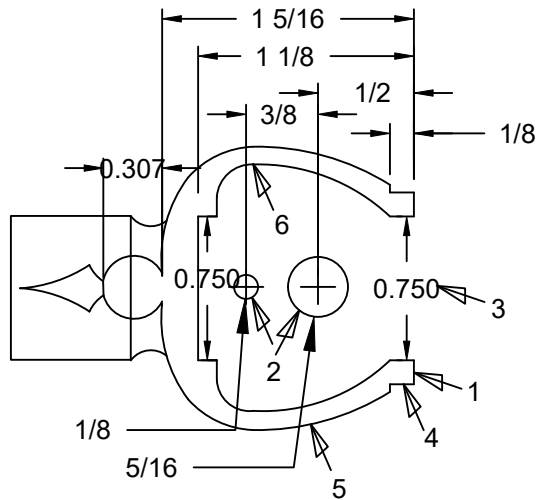


RJF

- Step 5**
- 1 Mount Perch, Glue on inside
 - 2 Screw in eye screw
 - 3 Glue top to bottom
 - 4 Touch up any finish needed
 - 5 Buff

RJF

2

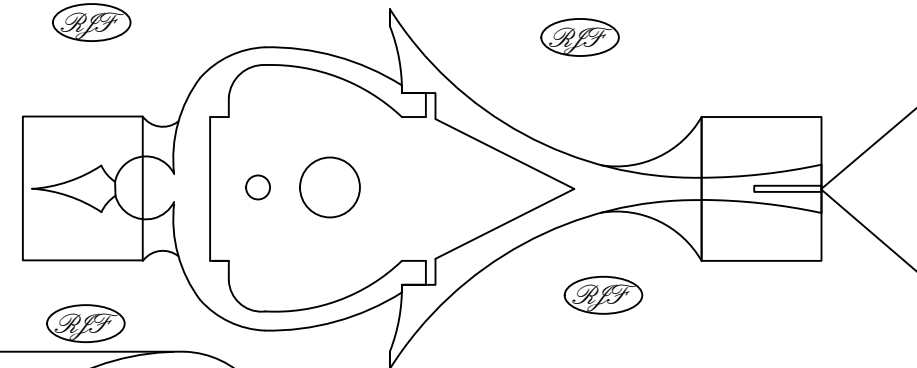


RJF

- Step 2**
- 1 Face end
 - 2 Drill Bird & perch holes
 - 3 Drill $\frac{3}{4}$ " Dia X $1 \frac{1}{8}$ " Deep Flat bottom
 - 4 Turn 1" tennon to fit roof
 - 5 Turn OD up to Chuck
 - 6 Hollow ID
 - 7 Sand & Finish OD

RJF

3

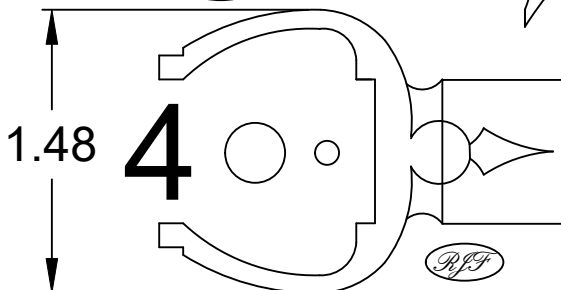


RJF

RJF

- Step 3**
- 1 Seat Top on Bottom
 - 2 Secure with Live Center
 - 3 Turn Top profile
 - 4 Sand & Finish
 - 5 Use Tape if needed
 - 6 Drill for eye screw

RJF



4

RJF

- Step 4**
- 1 Mount on Bottom $\frac{3}{4}$ " mandrel
 - 2 Secure with Live Center if needed
 - 3 Turn Bottom profile
 - 4 Sand & Finish
 - 5 Use Tape if needed